

# PMC Carrier/Adapter

## Dual PMC to Compact PCI (cPCI) Adapter

The Technobox 6332 is a 6U Compact PCI (cPCI) PMC carrier that adapts two single-wide PMCs to a cPCI slot. At the heart of the carrier is a 6150 PCI-to-PCI bridge that connects the carrier's internal PCI bus to the cPCI backplane. The bridge supports 33/66 MHz on both the primary and secondary sides.

The carrier is PCI r2.3 compliant with 5V input signal tolerance that permits use of 3.3V, 5V, and universal PMCs. The adapter presents the PN4 I/O signals to cPCI connectors J3 and J5 for access. Auxiliary functions include: IPMI access over the cPCI bus, a front panel connector with serial monitoring of system parameters, and JTAG access for programming and debug. The JTAG signals are brought out to a 9-pin

multi-function connector on the front-panel.

Front panel indicator LEDs provide status for key signals and system status. Another three PMCs can be supported by attaching a second carrier board.

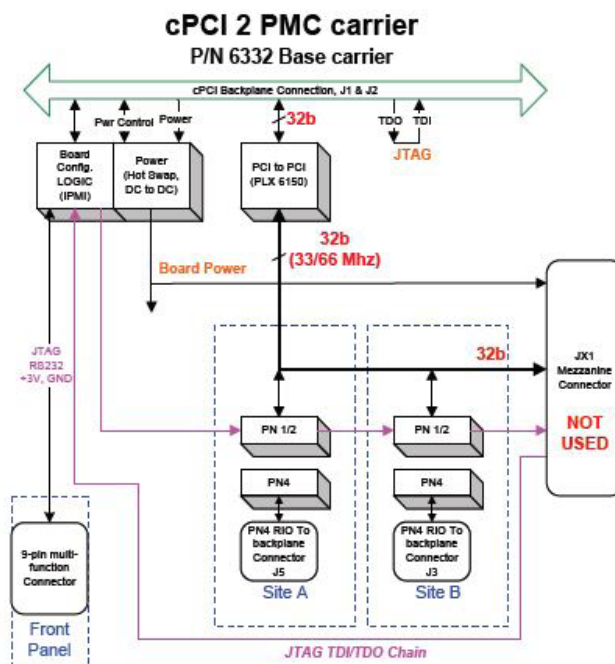
All power is supplied from the cPCI backplane connector. For better power supply regulation the major on-board voltages are supplied from DC-to-DC converters.

This adapter is typically supported by the operating system. Software support for the mezzanine cards, however, may be necessary. Consult the respective manufacturer or an affiliated supplier for details.

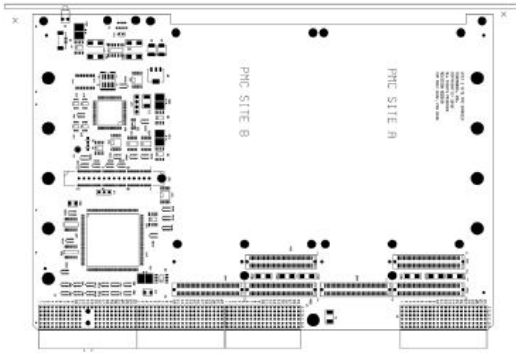


### 6332

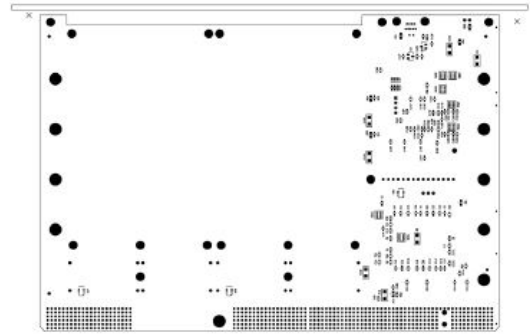
- Adapts Two Single-wide PMCs to Compact PCI (cPCI) Slot
- PLX 6150 PCI Bridge
- 33/66MHz; 32-bit PCI
- Supports +3.3V, +5V & Universal PMCs
- PMC Voltages +3.3V, +5V and -12V Generated by High-Efficiency DC/DC converters
- PN4 I/O Presented to cPCI Backplane Connectors J3 and J5
- IPMI Access Over cPCI Bus
- JTAG Chain Access via Front-Panel Connector
- RoHS Compliant
- Industrial Temperature



**Technobox<sup>®</sup>, inc.**



**COMPONENT PLACEMENT VIEW - SIDE #1**



**COMPONENT PLACEMENT VIEW - SIDE #2**

## SPECIFICATIONS

**Temperature (Operating):** -40 to +85 degrees C

**Temperature (Storage):** -50 to +100 degrees C

**Altitude:** Not specified or characterized. Typical similar equipment is at 15,000 ft.

**Humidity (Operating/Storage):** 5% to 90% non-condensing.

**Vibration:** Not specified or characterized

**Shock:** Not specified or characterized

**MTBF:** Available upon request

**Weight:** 263 grams (without PMCs)

**PCI Signaling:** 3.3V only

**Voltages Required:** +12V, -12V, +5, +3.3V (+/-5%)

**Amperage (total PMCs):**

+3.3V 4.0 amps

+5V 3.0 amps

-12V 0.5 amps

+12V 0.5 amps

## ORDERING INFORMATION

**6332:** Dual-Site Single-Slot 6U Compact PCI (cPCI) PMC Adapter/Carrier 32-Bit/66 MHz

**6567:** Five-Site Dual-Slot 6U Compact PCI (cPCI) PMC Adapter/Carrier 32-Bit/66 MHz

**6718:** Breakout Cable for 6U PMC Carrier Cards 6332 & 6567

**Technobox<sup>®</sup>, inc.**

Copyright © Technobox 2020

DS6332-C00920

**Technobox, Inc.**

154 Cooper Road, Suite 901

West Berlin, NJ 08091

**Phone:** 856-809-2306 • **Fax:** 856-809-2601

**Email:** sales@technobox.com

**Website:** www.technobox.com