

# Storage Controller XMC

## Conduction-Cooled CFast Adapter

The Technobox 7002 is a conduction-cooled XMC which hosts one CFAST card for storage applications.

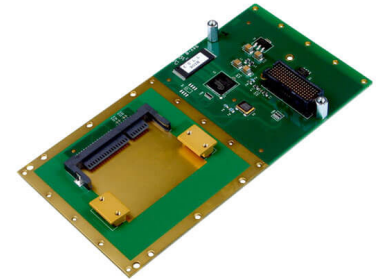
A Silicon Image SI3132 controller interfaces a one-lane PCI express bus and a SATA Gen 2 interface at 3.0 GB/s, a third I2C interface accesses an EEPROM, for its configuration data.

The CFAST card type I or type II is secured against shock and vibration by a locking mechanism, and is not intended to be

inserted or removed while the system is powered.

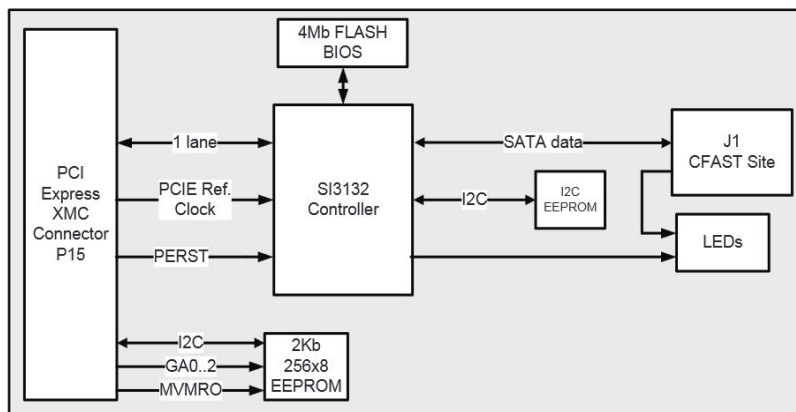
An on-board BIOS, provided by Silicon Image and resident in flash memory, supports boot up configuration.

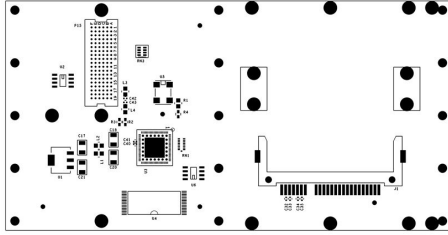
Two LEDs on the body of the card give an indication of the LED1 and LED2 signals driven by the CFAST card, and a third LED gives an indication of the drive activity.



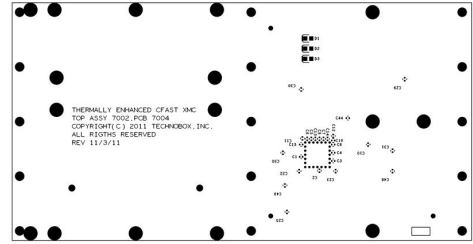
## 7002

- Accepts CFast Media (Types I & II)
- Silicon Image Si3132 Controller
- PCI Express Interface (2.5 GHz) 1 Lane
- Optional Anti-Fret Bar
- Media Optional
- RoHS-compatible
- Lead-free





**COMPONENT PLACEMENT VIEW - SIDE #1**



**COMPONENT PLACEMENT VIEW - SIDE #2**

## **SPECIFICATIONS**

**Temperature (Operating):** 0 to +70 degrees C

**Temperature (Storage):** -40 to +85 degrees C

**Altitude:** Not Specified or Characterized. Typical similar equipment is at 15,000 ft.

**Humidity (Operating/Storage):** 5% to 95% non-condensing.

**Vibration:** Not specified or characterized

**Shock:** Not specified or characterized

**MTBF:** Available on request

**Weight:** 51 grams without CFAST device

**Voltages Required:** 3.3V

**PCI Express Signaling:** 1 Lane Gen 1

**Power:** TBD

## **ORDERING INFORMATION**

**7002:** Conduction-cooled CFAST Adapter XMC (without media)

**6144:** Front Panel Kit to Adapt 7002 for use w/  
Standard Convection-cooled Carriers

**Technobox<sup>®</sup>, inc.**

Copyright © Technobox 2021

DS7002-C10507

**Technobox, Inc.**

154 Cooper Road, Suite 901

West Berlin, NJ 08091

**Phone:** 856-809-2306 • **Fax:** 856-809-2601

**Email:** sales@technobox.com

**Website:** www.technobox.com