

Storage Controller PMC

ULTRA2 LVD/SE Fast/Wide SCSI Adapter

The ULTRA2 SCSI PMC adapter interfaces a host board PCI bus to a standard SCSI interface via either a LSI 53C895A controller for operation with single ended or Low-Voltage Differential signaling.

The SCSI bus is available out the front panel using a 68-pin connector recommended by the ANSI X3.131 specification, which governs SCSI implementation. It is also available out the rear 64 user I/Os on the PMC, which are in turn connected to the P2 connector of a VMEbus host processor supporting rear I/O connectivity.

An active termination network for each SCSI signal line terminates the SCSI bus. A DIP Switch on the PMC card allows the user to either enable or disable the Termination function. This design supports independent selectable termination for the upper and lower SCSI bus bytes.

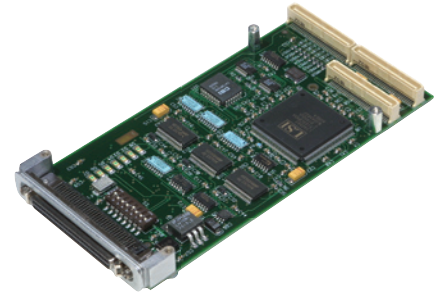
The 53C895A SCSI controller features an intelligent processing engine which executes special programs

(Scripts) in the host processor memory to effect SCSI sequences. This reduces processor overhead in handling the SCSI interface operation.

The 53C895A controller supports 1-byte and 2-byte wide SCSI buses (2-byte = Wide) operating in either asynchronous or synchronous (i.e., Fast) protocol. In Single Ended mode (SE), Fast/Wide operation provides 40 MB/s throughput. In Low Voltage Differential (LVD), 80 MB/s throughput can be achieved.

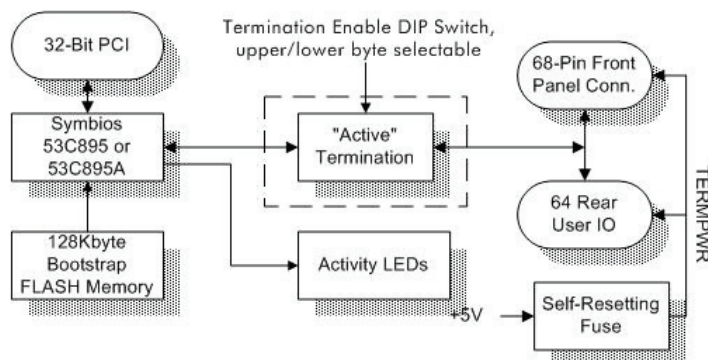
When operating in ULTRA2 mode, LVD signaling is used. Selection of either SE or LVD mode is accomplished automatically in the hardware design.

The SCSI PMC adapter provides termination power (TERMPWR) through a Schottky diode as is typically done in most SCSI implementations. This design features a self-resetting fuse that automatically shuts off when excessive TERMPWR current is supplied to the

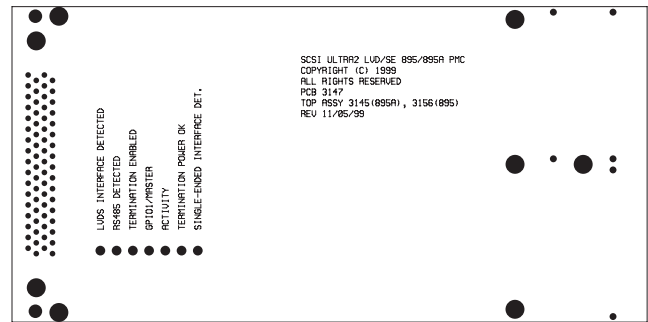
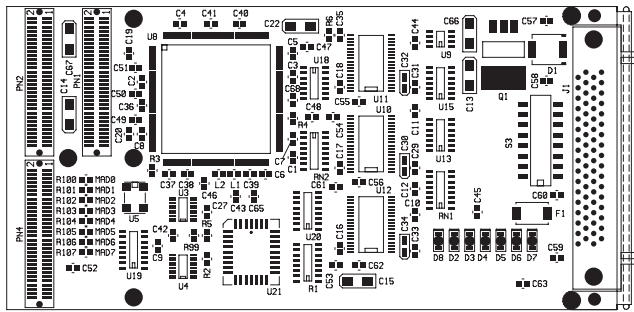


4703

- Supports Ultra2 LVD/SE, Fast/Wide Parallel SCSI
- LSI 53C895A Controller
- Support for 1- and 2-byte wide SCSI bus
- 40 MBps (SE mode)
80 MBps (LVD mode)
- Active termination
- Bootstrap FLASH
- LEDs convey SCSI activity
- RoHS-compliant, Lead-free



Technobox



SCSI ULTRA2 LVD/SE 895/895A PMC
 COPYRIGHT (C) 1999
 ALL RIGHTS RESERVED
 PCB 3147
 TOP ASSY 3145 (895A), 3156 (895)
 REV 11/05/99

SCSI bus. This self-resetting fuse will automatically re-power the SCSI interface following removal of the offending short circuit.

Several LEDs visible from the side of the PMC monitor SCSI bus activity.

This design also supports the Bootstrap FLASH memory option (128K bytes), where users can store boot-up code on the PMC. The BIOS code is shipped installed for Intel platforms.

Specifications

- Temperature (Operating): 0° to 55° C
- Temperature (Storage): -40° to +85° C
- Altitude: Not specified or characterized (Typical similar equipment is at 15,000 ft.)
- Humidity (Operating/Storage): 5% to 90% non-condensing
- Vibration: Not specified or Characterized
- MTBF: Available upon request
- Typical Power Dissipation: TBD
- Power Supplies Required: 5 Volts
- PCI Environment: 5V, 32 bits, 33 MHz

Ordering Information

4703: ULTRA2 LVD/SE Fast/Wide SCSI Adapter

