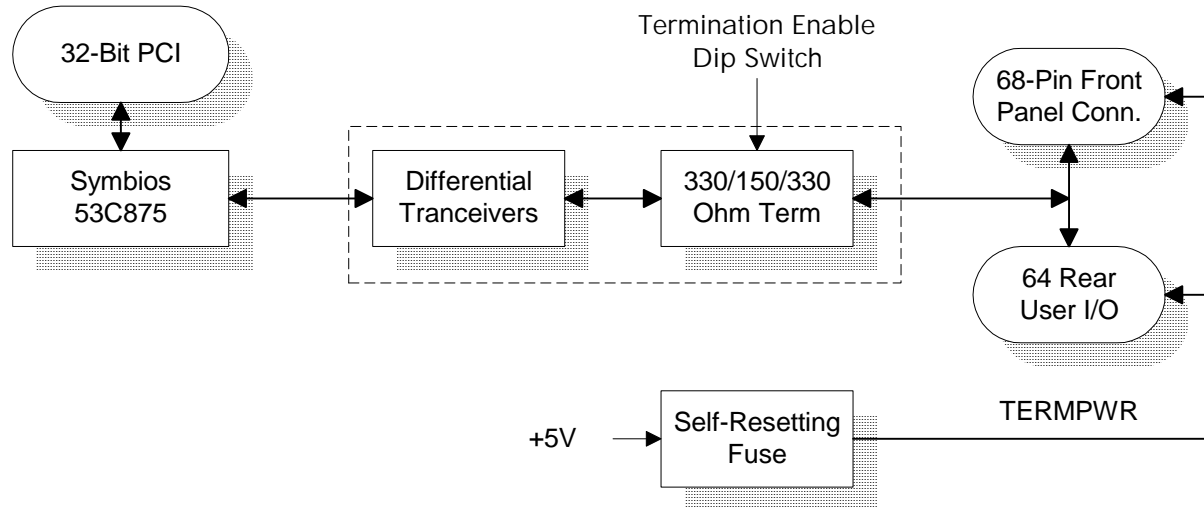


HV Differential Fast/Wide SCSI Adapter



The SCSI PMC adapter from Technobox interfaces a host board PCI bus to a standard SCSI interface via a 53C875 controller.

The SCSI bus is available out the front panel using a 68-pin connector recommended by the ANSI X3.131 specification, which governs SCSI implementation. It is also available out the rear 64 user I/Os on the PMC, which are in turn connected to the P2 connector of a VMEbus host processor supporting rear I/O connectivity. A paddle card is available from Technobox to convert the 64-pin P2 connector back into the 68-pin SCSI connector.

This product supports differential SCSI interface operation. A 330/150/330 ohm resistor network for each SCSI signal line terminates the SCSI bus. A DIP Switch on the PMC card allows the user to either enable or disable the Termination function.

The 53C875 SCSI controller from Symbios Logic (formerly NCR Microelectronics) feature an intelligent processing engine which executes special programs (*Scripts*) in the host processor memory to effect SCSI sequences. This reduces processor overhead in handling the SCSI interface operation.

The 53C875 controller support 1-byte and 2-byte wide SCSI buses (2-byte = "Wide") operating in either asynchronous or synchronous (i.e., "Fast") protocol. The FAST-20 SCSI specification, which permits 20 MB/s or 40 MB/s transfer rate on a 1-byte or 2-byte wide SCSI bus, is supported by the 53C875, enabling synchronous mode transfers at up to 40 MB/s.

The SCSI PMC adapter provides termination power ("TERMPWR") through a Schottky diode as is typically done in most SCSI implementations. This design features a self-resetting fuse which automatically shuts off when excessive TERMPWR current is supplied to the SCSI bus. This self-resetting fuse will automatically re-power the SCSI interface following removal of the offending short circuit.

Software supplied with this product consists of the binary object code usually licensed with the sale of each Symbios part. Please contact Symbios or Technobox for more information regarding software support.

