

Storage Controller PMC

2.5-inch IDE Disk Adapter

The HDD is positioned midway such that the PMC component envelope is not violated. Furthermore, steel rails are attached to the printed circuit board, allowing for a secure, robust installation of the hard disk drive. This is a superior mechanical approach, compared with other printed circuit board-based solutions available on the market.

This product uses the Silicon Image (CMD) PCI680 chipset that supports Ultra 133 operation of a Primary and Secondary IDE channel, each capable of supporting two drives. The drive mounted on the PMC consumes the Master drive of the Primary channel, while two additional Master/Slave drives on the Secondary channel may be connected externally via the PN4 Rear I/O.

Routing to the Rear I/O PN4 connector is done such that an IDE ribbon cable for external attachment can be conveniently constructed using a 96-pin DIN connector ("a" and "c" rows populated) plugging onto the P2 connector of a VMEbus carrier card.

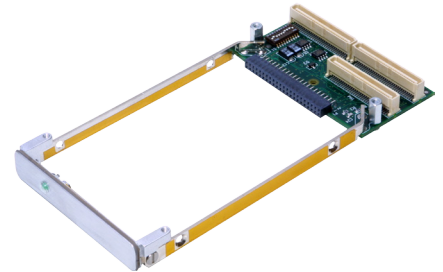
This assumes routing from the PN4 connector to the P2 is per the IEEE 1386 recommended practice.

A 128 Kbyte BIOS chip, which is in-circuit programmable using Silicon Image utilities running under DOS, provides BIOS storage for PC-related operating systems.

Two LEDs are provided on the body of the PMC board to monitor disk activity on the two IDE channels. Additionally, one LED located on the PMC front panel monitors the combined activity on the Primary and Secondary IDE channels.

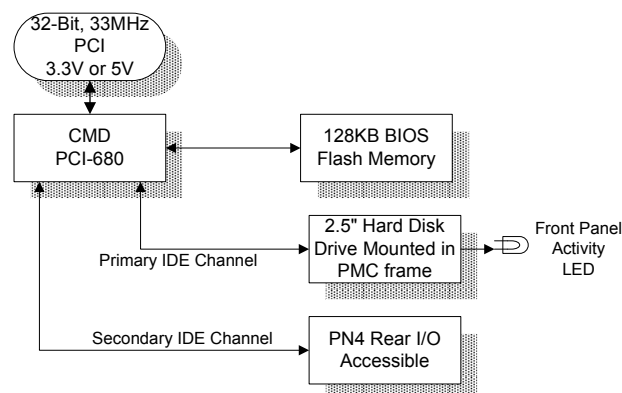
The board draws 5V power from the PMC connectors, powering both the installed hard disk drive and PMC circuits. A fused version of 5V is available out the PN4 connector for optionally powering external 2.5" drives.

The 680 chip supports operation of the PCI bus at 32 bits, 33 MHz. The adapter may be used in either a 3.3V or 5V PCI signaling environment.

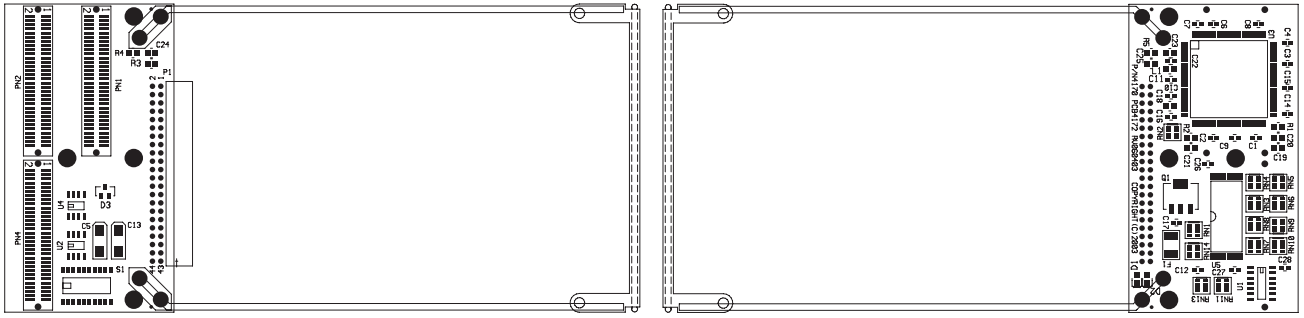


4170

- Accepts 2.5" ATA/IDE HD or solid-state disk
- Silicon Image 680 controller
- Standard mounting
- Link activity LED
- Media optional



Technobox



This product is normally supplied without a hard disk drive permitting a user to directly purchase drives for installation by the user. Alternatively, Technobox can quote

installation and testing of drives as an additional service. Charges for this service are subject to variable market conditions, such as price of a specific hard drive

For O/S support, please contact Technobox.

Specifications

Temperature (Operating): 0° to 55° C
 Temperature (Storage): -40° to +85° C
 Altitude: Not specified or characterized (Typical similar equipment is at 15,000 ft.)
 Humidity (Operating/Storage): 5% to 90% non-condensing
 Vibration: Not specified or Characterized
 MTBF: 462.40K Hours (Gb, 20° C)
 Typical Power Dissipation: TBD
 Power Supplies Required: 5 Volts
 PCI Environment: 3.3V, 5V, 32 bits, 33 MHz

Ordering Information

4170 IDE adapter with no Hard Drive installed
 4401 : 5K RPM, 20 GB drive installed
 4402 : 5K RPM, 40 GB drive installed
 4403 : 5K RPM, 60 GB drive installed
 4404 : 5K RPM, 80 GB drive installed
 4405 : 7K RPM, 60 GB drive installed

