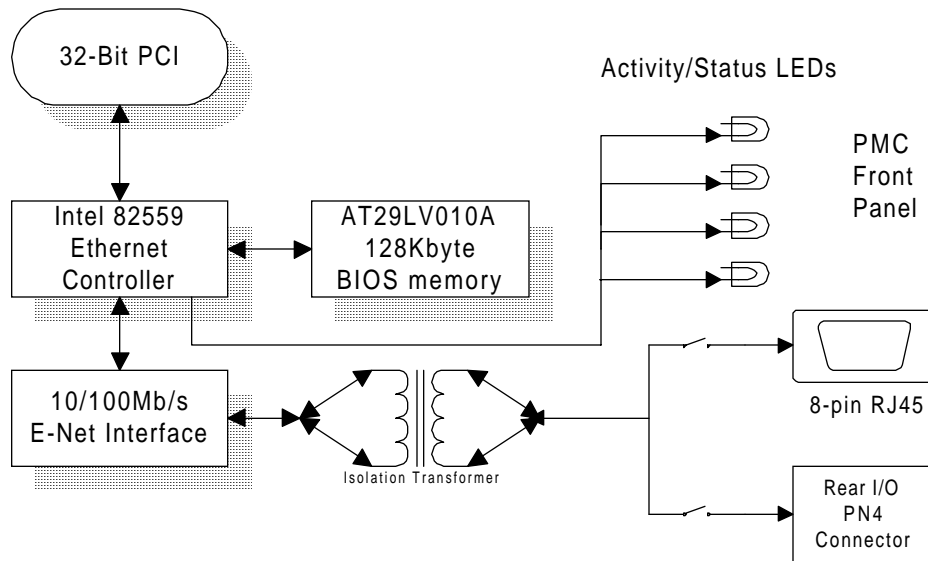


# 10/100-TX Ethernet with Front and Rear I/O



The 10/100-TX Mb/s Ethernet Adapter provides a single port Ethernet connection over twisted pair media. Either front or rear I/O is supported.

The card is built around an Intel 82559 Ethernet controller that provides an integrated media access controller (MAC) and physical layer (PHY) for operating at either 10 Mb/s or 100 Mb/s. The 82559 provides full-duplex operation at both speeds.

For front I/O the module presents an RJ-45 connector on the front panel, eliminating the need for cumbersome cable adapters. Rear I/O is provided through the module's PN4 connector. I/O choice can be set in the field by setting on-board DIP switches.

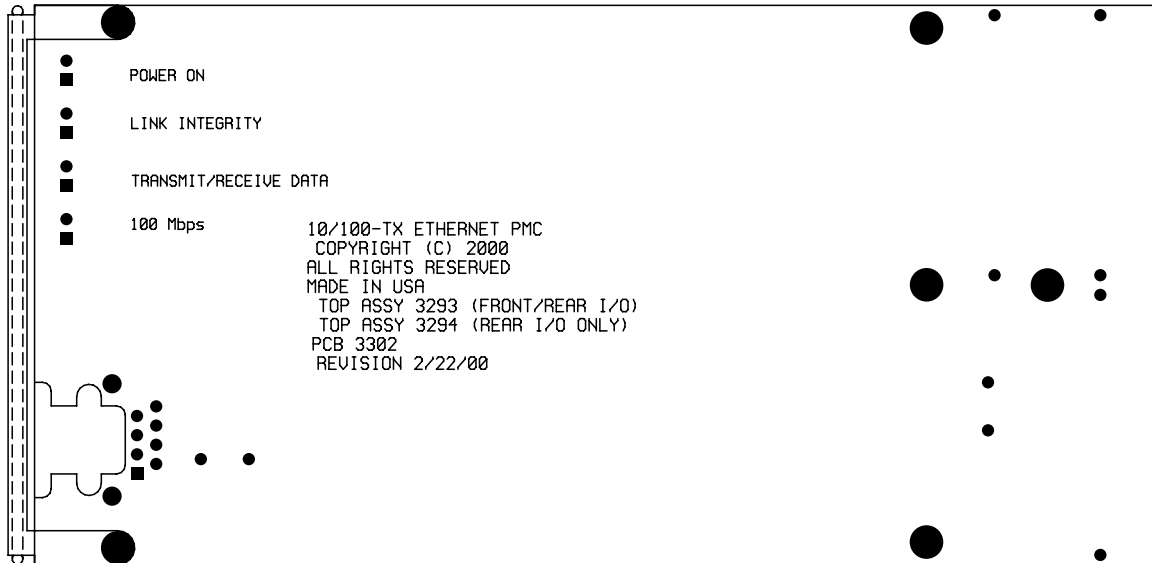
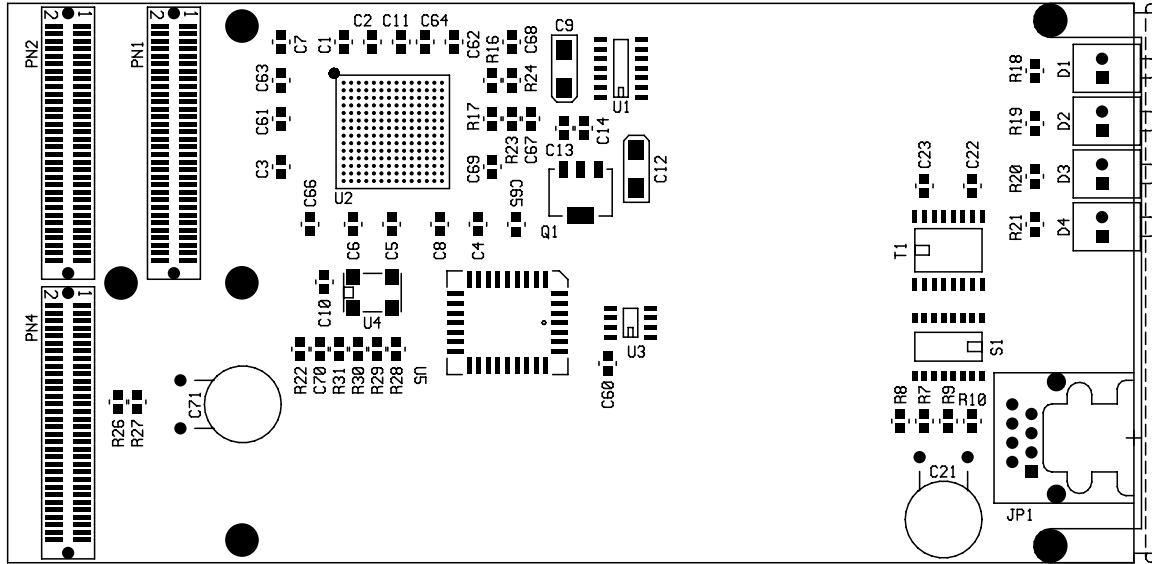
Electrical isolation is provided between the 82559 and the I/O connectors.

Four front-panel mounted LEDs (green) provide ready indication of power, link integrity (i.e., a valid link in either 10 Mb/s or 100 Mb/s mode), transmit and receive data traffic, and 100 Mbps operating mode.

The board features Flash memory for storing an on-board BIOS that can be invoked for booting. An Atmel 29LV010 chip is used, providing up to 128 Kbytes of BIOS storage.

Interrupts are posted on the PCI bus using Interrupt Request "A" (INTA).

# 10/100-TX Ethernet with Front and Rear I/O



## Product Summary

- Technobox Part Number: 3293 10/100-TX Ethernet with Front and Rear I/O
- Typical Power Dissipation: TBD watts
- Power Supplies Required: +5 volt
- PCI Signaling Environment: 5 Volt or 3.3 Volt