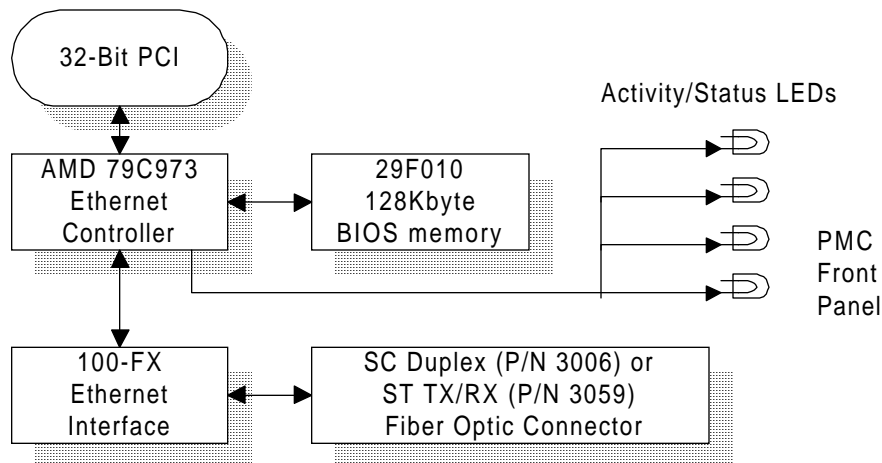


# 100-FX Ethernet Fiber Optic Module

---



---

The Ethernet 100-FX Adapter provides a single port Ethernet connection using Fiber Optic media.

An AMD 79C973 Ethernet controller provides an integrated link and physical layer for operating at 100 Mb/s.

The Fiber Optic connector used on the board can be either the "SC Duplex" style, or the "ST RX/TX" style and is identified by the Technobox Part Number. Order P/N 3006 for the SC connector, and P/N 3059 for the ST style connector.

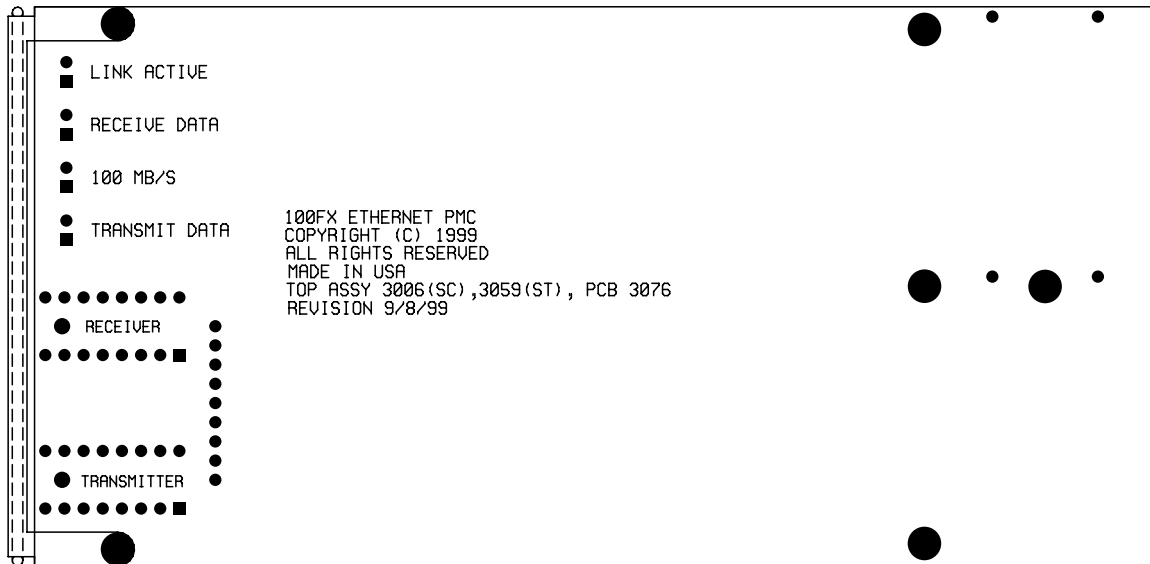
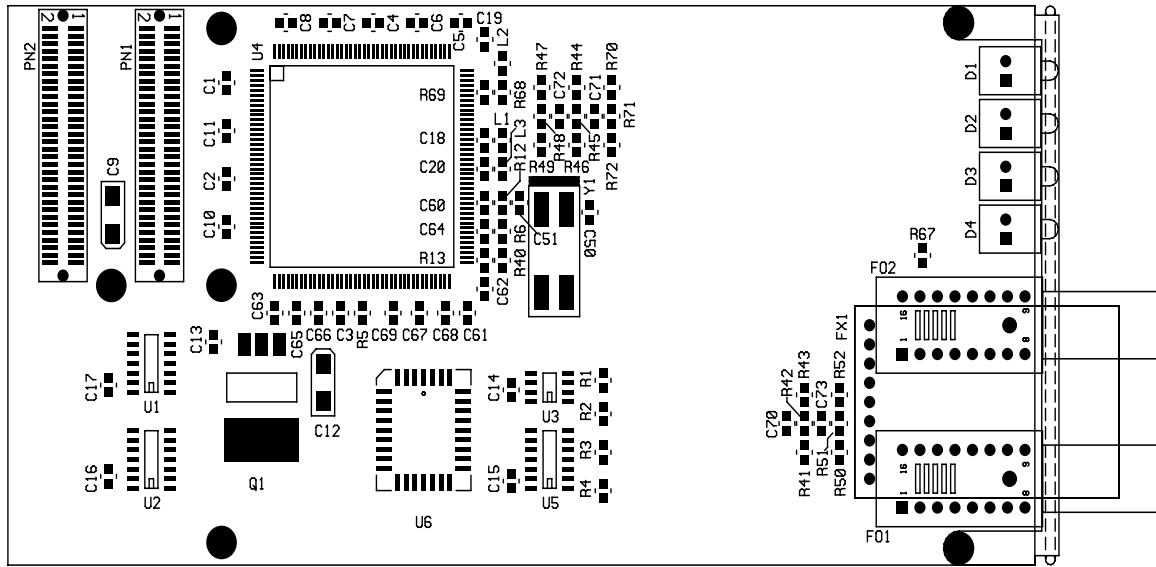
The optical wavelength supported in this design is between 1270 and 1380 nm and is compatible with standard multi-mode fiber as used in FX applications.

The board features a FLASH memory for storing an on-board BIOS. A 29F010 chip is used, providing up to 128Kbytes of BIOS storage.

Four green activity and status LEDs are visible from the PMC front panel. Interrupts are posted on the PCI bus using Interrupt Request "A" (INTA).

The AMD 79C973 is supported by many operating systems with built-in Ethernet support. Drivers are available for both Windows and VxWorks.

# 100-FX Ethernet Fiber Optic Module



## Product Summary

Technobox Part Number: SC Duplex Connector: 3006

ST TX/RX Connector: 3059

Typical Power Dissipation: TBD watts

Power Supplies Required: +5

PCI Signaling Environment: 5 Volt or 3.3 Volt