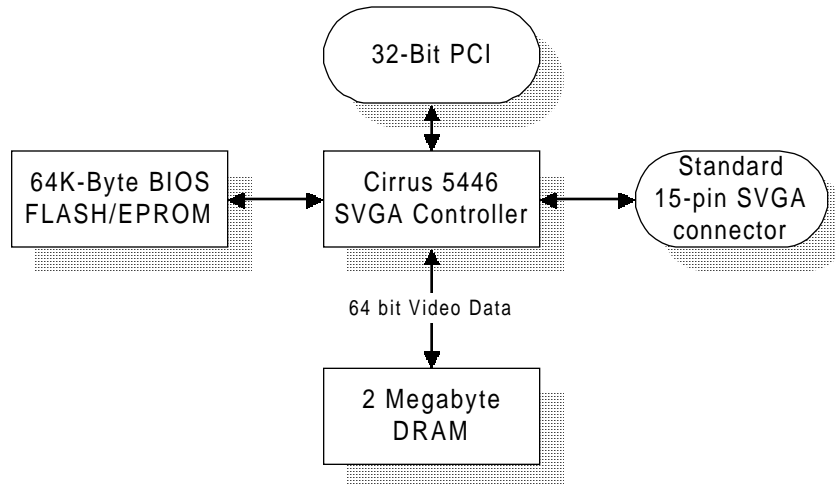


Super Video Graphics Array (SVGA) Adapter



The Technobox Super Video Graphics Array (SVGA) Adapter PMC implements a standard graphics controller similar to graphics controllers found in Personal Computer applications.

The SVGA PMC uses a Cirrus CL-GD5446, which is a high-end graphics controller chip at the top of Cirrus Logic's mature 54X6 graphics controller family.

All standard video formats from 640x480 to 1280x1024 are supported by this PMC, with 1-byte (256 colors), 2-byte (65K colors), and 3-byte (16.8M colors) RGB color palette resolutions.

For digital video camera applications, the Cirrus 5446 uniquely supports YUV 4:2:2 format, as well as RGB-8 and RBG-16 formats.

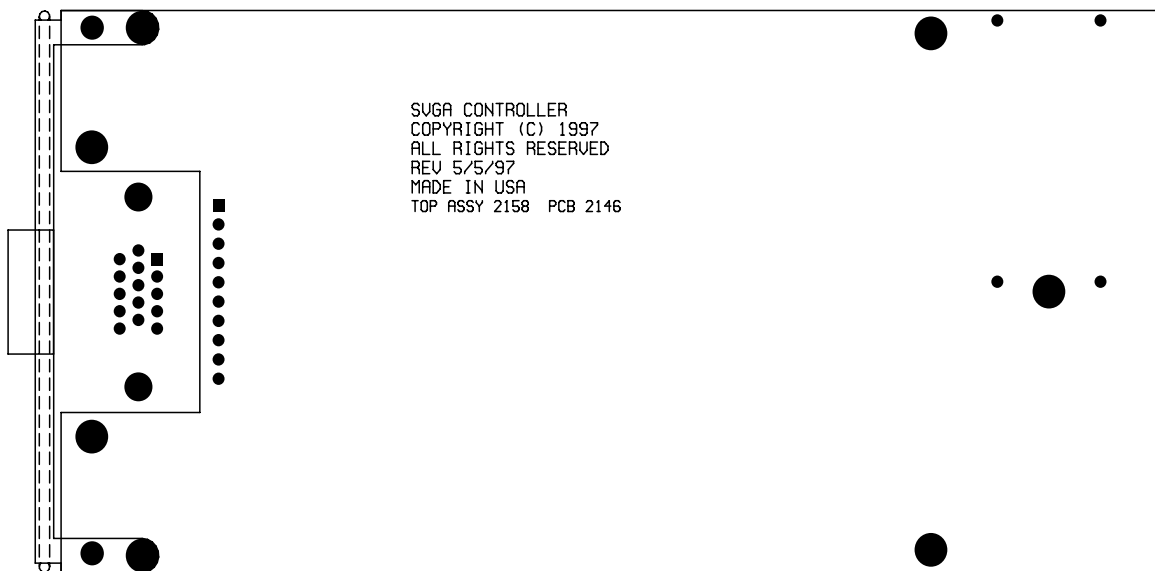
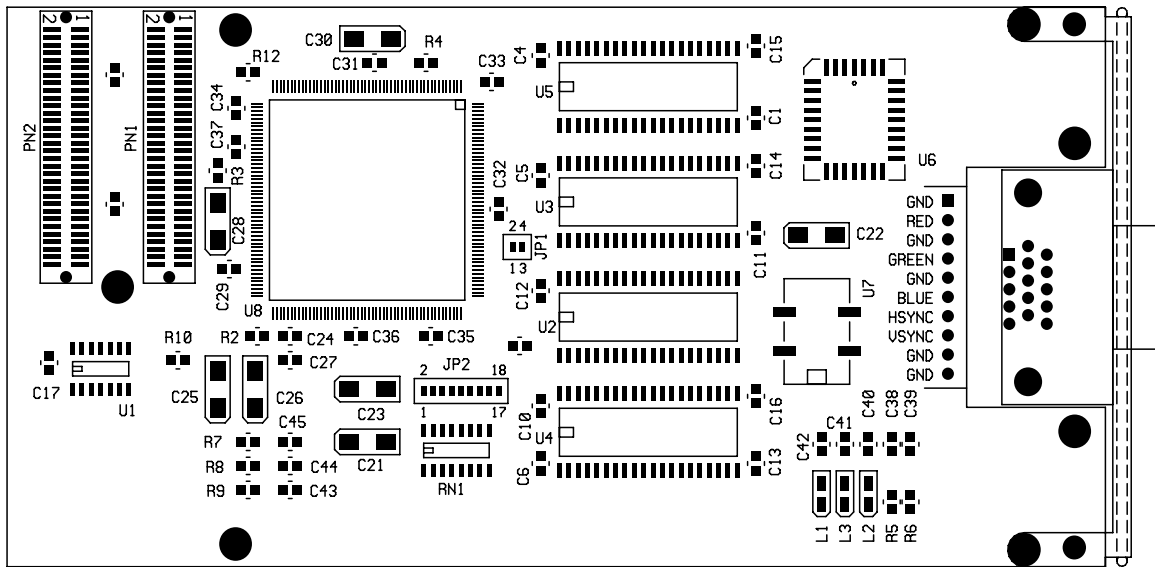
A 64K-byte FLASH/EPROM memory located on the board holds the BIOS code for Intel processor applications.

2-Megabytes of DRAM-based Video Buffer is used on the board. The data path between the video DRAM and the 5446 SVGA controller is a full 64-bits. This supports high-performance block transfers between the PCI bus and video memory.

Drivers available for this board include Windows 3.x, 95, and NT. Also available are VxWorks drivers from third-party suppliers.

Unique to the Technobox SVGA PMC design is use of a standard 15-pin D-SUB SVGA connector available at the PMC front panel. This allows users to directly connect readily-available external SVGA cables to the PMC, without having to use any special adapter cables.

Super Video Graphics Array (SVGA) Adapter



Product Summary

Technobox Part Number:	2158
Typical Power Dissipation:	TBD Watts
Power Supplies Required:	+5
PCI Signaling Environment:	5 Volt