

# Storage XMC

## Single-Site M.2 PCI Express SSD Adapter XMC

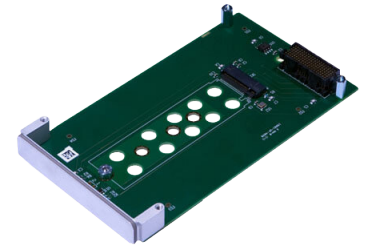
The Technobox, Inc. P/N 7673 single-site M.2 adapter XMC allows connection of one M.2 cards on a single-wide XMC.

The M.2 site supports standard M.2 lengths of 30, 42, 60 and 80 mm. All are 22 mm wide. The board is supplied pre-installed with hardware for the 80mm depth M.2, which appears to be the commonly available length for M.2 SSDs. Users with an arbor press and correct tooling may remove the press-fit standoff and reposition it for depths other than 80 mm. Or, a hardware kit (P/N 8252) is available with standoff, screw, and round nut for a single site, and this can be user-installed without an arbor press. One hardware kit is needed if users need to change from 80mm to a shorter length M.2 board.

For this product, the M.2 site supports a 4-lane PCI-express connection which will work with 1X, 2X, or 4X M.2 cards. PCI-express Gen 1 (2.5Gb/s), Gen 2 (5 Gb/s) and Gen 3 (8 Gb/s) are supported by this XMC.

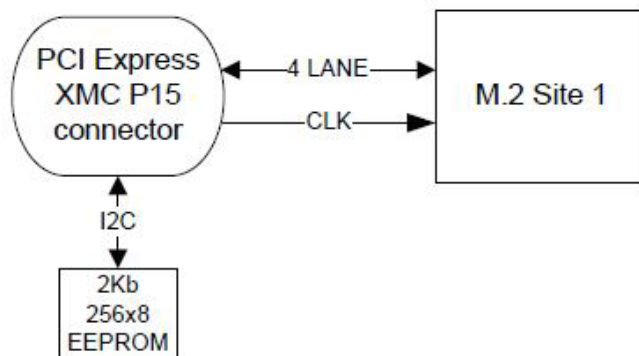
Note that only PCI-express capable M.2 cards, such as a Samsung XP941/951, will work with this XMC. SATA is not supported. Each site is keyed for "M" style boards in accordance with the M.2 specification.

M.2 cards can dissipate considerable power, and the Technobox XMC card provides ventilation holes such that forced-air cooling parallel to the plane of the XMC will draw air through the M.2 cards. Forced air cooling is highly recommended for this product.

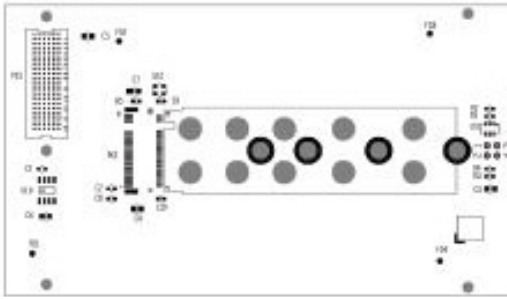


### 7673

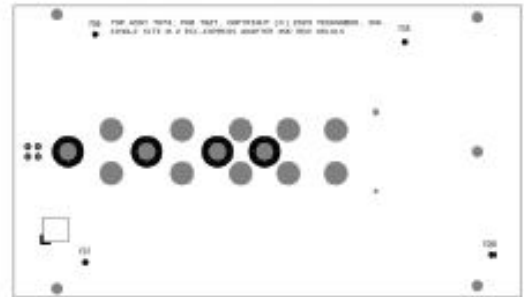
- One M.2 PCI-e Site
- M-keying
- 30, 42, 60, 80 mm Length Cards (Hardware Pre-Installed for 80mm)
- 4X Lane up to GEN 3 Speeds
- Unique Ventilation Feature for Optimum Cooling
- Optional Hardware Kit for 30, 42 and 60 mm Cards
- PCI-express Only (no SATA)
- Industrial Temperature Range
- Lead-Free



**Technobox<sup>®</sup>, inc.**



**COMPONENT PLACEMENT VIEW - SIDE #1**



**COMPONENT PLACEMENT VIEW - SIDE #2**

## SPECIFICATIONS

**Temperature (Operating):** -40 to +85 degrees C

**Temperature (Storage):** -55 to +105 degrees C

**Altitude:** Not specified or characterized. Typical similar equipment is at 15,000 ft.

**Humidity (Operating/Storage):** 5% to 90% non-condensing.

**Vibration:** Not specified or characterized

**Shock:** Not specified or characterized

**MTBF:** Available upon request

**PCI Express:** GEN-1 (2.5 Gb/s), Gen2 (5 Gb/s) and Gen3 (8 Gb/s)

**Voltages Required:** +3.3V only

**Weight:** 53 grams

## ORDERING INFORMATION

**7673:** Single-Site M.2 PCI Express SSD Adapter XMC

**8252:** Optional hardware kit for mounting a single 30, 42, or 60 mm M.2 card (hardware for 80 mm site is preinstalled on the 7971); kit includes one stand-off, one screw, and one round nut

**8257:** #10 spanner bit with instruction sheet, used for securing M.2 cards to M.2 Technobox carriers

**9094:** Single-Site M.2 PCI Express SSD Adapter XMC w/ VITA 61 connector

# Technobox<sup>®</sup>, inc.

**Technobox, Inc.**

154 Cooper Road, Suite 901  
West Berlin, NJ 08091

**Phone:** 856-809-2306 • **Fax:** 856-809-2601

**Email:** sales@technobox.com

**Website:** www.technobox.com