

Networking Control PMC

10/100-TX Ethernet Adapter

The 10/100-TX Mb/s Ethernet Adapter provides a single Ethernet connection over twisted pair media. Both front and rear I/O are supported. A single RJ-45 connection is provided for front panel connection. Rear I/O access is via the adapter's PN4 connector.

The card is built around an Intel 82551IT Ethernet controller that provides an integrated media access controller (MAC) and physical layer (PHY) for operating at either 10 Mb/s or 100 Mb/s. The 82551IT provides full-duplex operation at both speeds.

Transformer based electrical isolation is provided between the 82551IT and the I/O connections.

Four front-panel mounted LEDs (green) provide ready indication of power, link integrity (i.e., a valid link

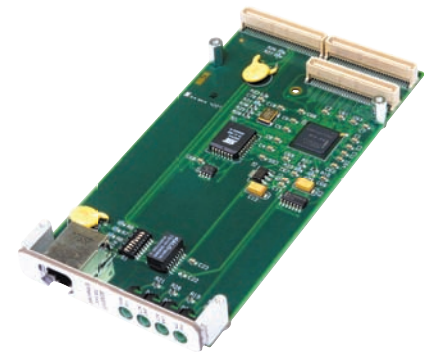
in either 10 Mb/s or 100 Mb/s mode), transmit and receive data traffic, and 100 Mbps operating mode.

A 128Kbyte flash memory stores an onboard BIOS that can be invoked for booting.

Interrupts are posted on the PCI bus using Interrupt Request "A" (INTA).

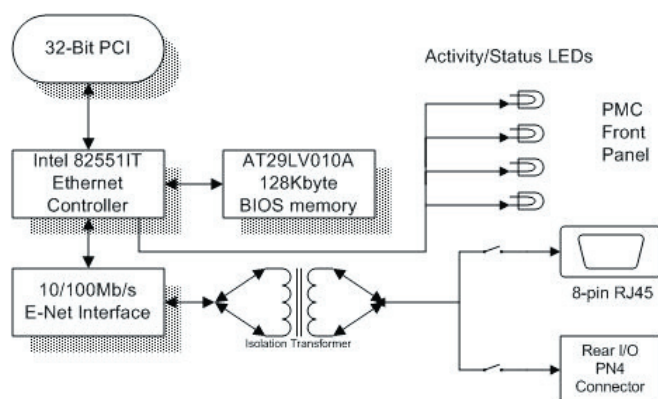
Each port is programmed with a unique 48-bit MAC address that is stored in an EEPROM on the board.

Many operating systems have built in support for the Intel 82551IT. For additional information and support, contact Technobox.

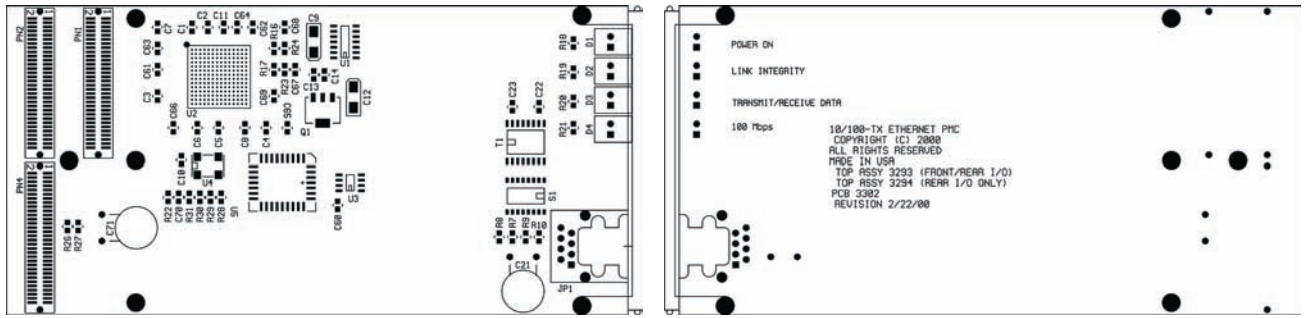


5433

- Provides Single 10/100 Ethernet Port
- RJ-45 Front Panel I/O or Rear I/O via PN4
- Design Features 82551IT Ethernet Controller
- Full-duplex Operation at 10 Mb/s and 100 Mb/s
- PCI (32 bits 33 MHz)
- LEDs Indicate Link Speed, Condition, and Activity
- Industrial Temperature
- RoHS-compliant



Technobox



Specifications

Temperature (Operating): -40° to 85°C

Temperature (Storage): -55° to +100° C

Altitude: Not specified or characterized (Typical similar equipment is at 15,000 ft.)

Humidity (Operating/Storage): 5% to 90% non-condensing

Vibration: Not specified or Characterized

MTBF: Available upon request

Typical Power Dissipation: 0.172 Amps on 5V

Power Supplies Required: +5V

PCI Environment: 5 or 3.3 Volt, 32-bit, 33 MHz

Ordering Information

5433: 10/100-TX Ethernet Adapter

Technobox, inc.®

Copyright © Technobox 2008

DS5433-A80520

Technobox, Inc.
 140 Mount Holly Bypass
 Unit 1
 Lumberton, NJ 08048
 Tel: 609-267-8988 • Fax: 609-261-1011
www.technobox.com