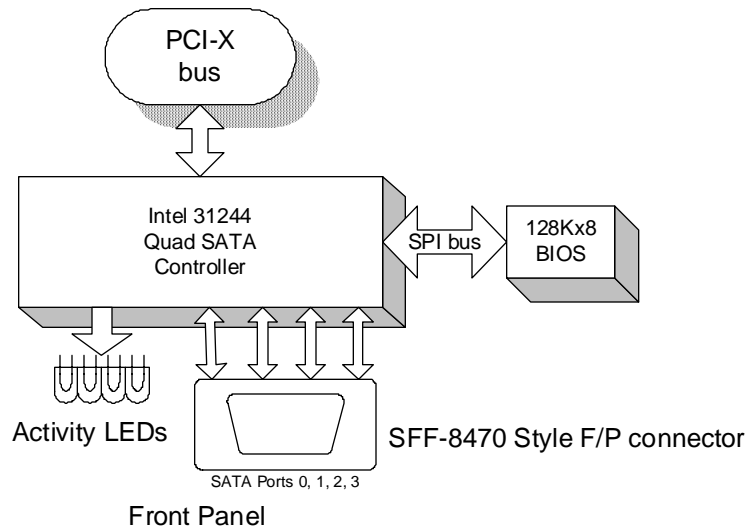


4-Port Serial ATA controller with SFF8470 Connector



The Serial ATA controller provides four 1.5Gb per second links on a PMC front panel by using a Small Form Factor 8470 connector as specified in the SATA II connector standard. This connector provides a robust connection to a 4-lane SATA cable using screwlocks and jackscrews to secure the cable to the PMC front panel connector.

The board employs an Intel 31244 controller, which connects the PCI-X bus to four SATA links. PCI-X can operate up to 133 MHz under ideal conditions, but this board will also operate in lower speed 33-MHz and 66 MHz busses and in 32-bit and 64-bit modes. Both 5V and 3.3V PCI bus signaling is supported. For more information on the 31244 capabilities, please see www.intel.com.

The 31244 controller uses an SPI bus to connect to a 128Kx8 EEPROM memory that holds a BIOS image.

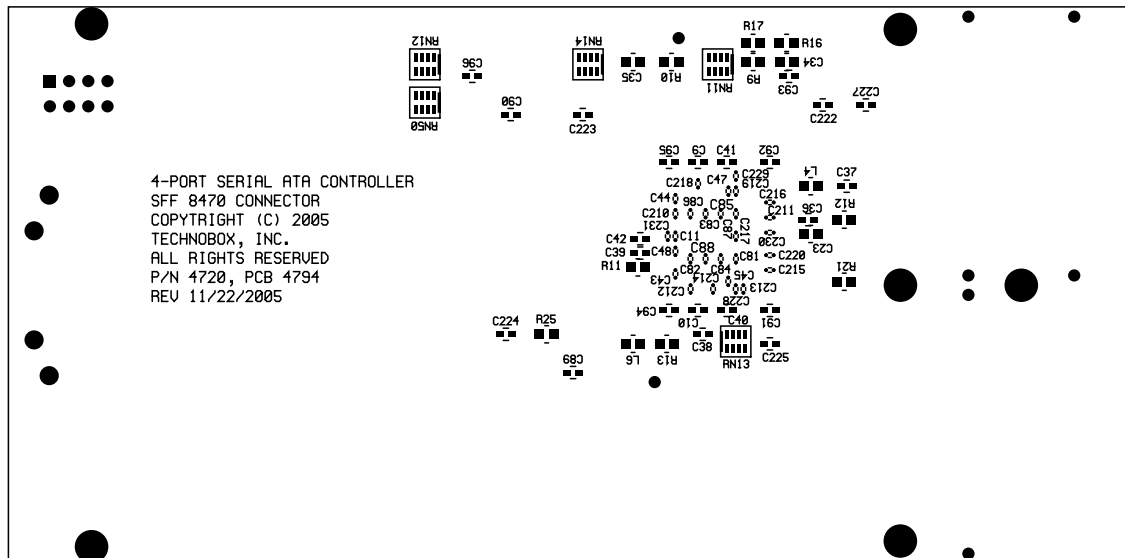
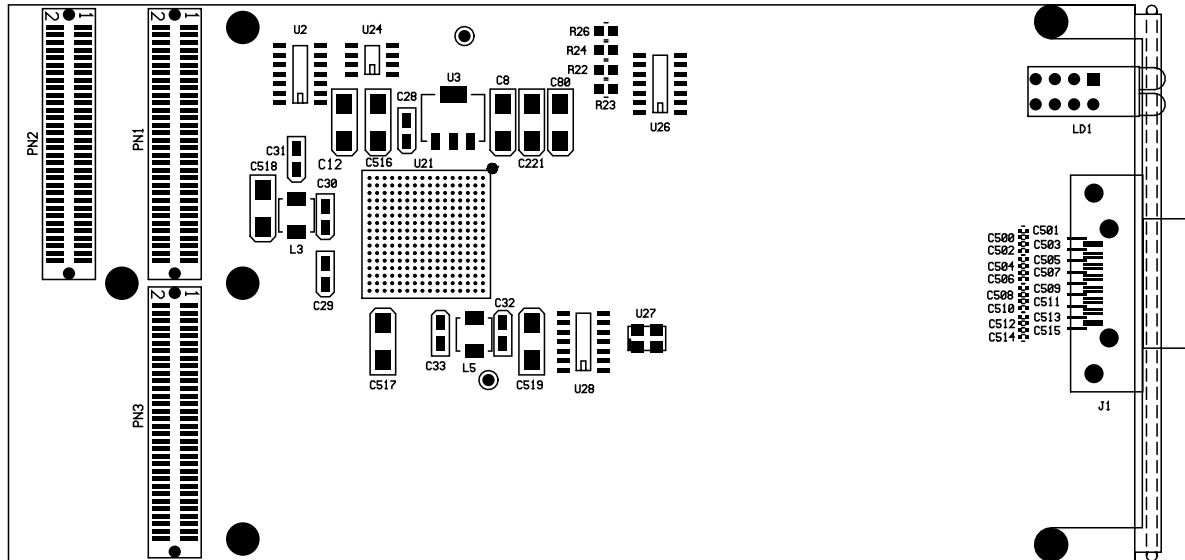
A group of four green status LEDs are provided on the front panel. Each LED conveys the activity associated with each port as determined by the 31244 SATA controller.

The product is available in a “commercial grade” version (P/N 4720) and also a conformally coated burned-in version (P/N 4721). During production testing, P/N 4721 is operated in a room temperature environment for 24 hours with SATA drives attached. P/N 4721 is coated with Acrylic conformal coating. However, note that both products are only specified for commercial operating temperature range and commercial environments.

An adjunct product – P/N 4787 – is a small breakout board that accepts a SFF-8470 cable and breaks out the four ports carried on the SFF-8470 cable into individual SATA connectors that can be used to cable to individual SATA drives using standard single-lane SATA cables.

Please contact Technobox for O/S and software support.

4-Port Serial ATA controller with SFF8470 Connector



Product Summary

Technobox Part Numbers:	4720 (SFF 8470 Front Panel Connector)
	4721 (with burn-in and Conformal Coating)
	4787 (Breakout board – one SFF-8470 to four SATA)
Typical Power Dissipation:	TBD watts
Power Supplies Required:	+3.3V