

PMC Carrier / Adapter

64-bit PMC-to-PCI Adapter for Delivery Systems

This passive PMC to PCI Adapter permits delivery of PMC-derived applications in a standard PCI environment.

Several LEDs visible from the back of the board monitor power (PVIO, SVIO, +12V, -12V, 5V, 3.3V) and key PCI bus signals (INTx, BUSMODE1, REQ32). One LED senses the VIO signal voltage to indicate if the slot uses 3.3V (VIO = 3.3V) or 5V (VIO = 5V) PCI bus signaling.

An optional fan assembly (P/N 3675) is available. The assembly is designed to span two PMC-to-PCI adapter boards and provides substantial forced-air cooling of high-power PMC modules. A plenum arrangement guides air across the PMC/adapter for the most efficient cooling.

The BUSMODE [4..2] inputs to the PMC is set to 001 indicating use of the PCI bus for the PMC connectors.

The A and C rows of a 96-pin DIN connector, located toward the rear of the board, connect with the 64-pin

user I/O connector (J4/P4) on the mezzanine card. This connection is specified by IEEE 1386 for the P2 connector on VMEbus boards and permits internal connection of rear I/O, should the PMC board support rear I/O connectivity.

A high quality 2.5 mm thick, machined aluminum panel, with a 0.5 mm chamfered edge, is provided on the PCI board bracket. This mimics the mechanics of a PMC installed on a VMEbus board or other host environments and allows the PMC bezel to be firmly positioned on the board.

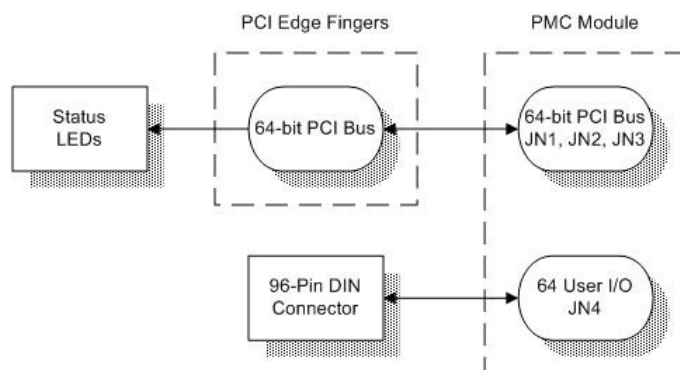
A 4-pin power connector, compatible with 5-1/2 inch disk drive power cables, provides delivery of +12V and +5V in addition to voltage already available at the PCI edge finger. The motherboard and disk power supplies must originate from the same system power supply, as is normally the case in typical PC cabinet/supply implementations.

Because this is a passive adapter, the PCI bus signal characteristics — bus width (32 or 64-bit), VIO



4366
.....

- Adapts 32- or 64-bit PMC (33 MHz) for use in PCI slot
- Designed for optimal signal quality
- Support for rear I/O
- LEDs convey status of key PCI bus signals and power
- Accommodates external power
- Optional fan assembly for additional cooling of PMC



Technobox

